

INLINE, TYPE 4



INDUSTRY STANDARDS

Mounting brackets required to meet UL/CSA external mounting requirements.

UL 508A Listed; Type 3, 4, 12; File No. E61997
 cUL Listed per CSA C22.2 No. 94; Type 3, 4, 12; File No. E61997

NEMA/EEMAC Type 4 and 12
 CSA, File No. 42186: Type 4 and 12
 IEC 60529, IP66

APPLICATION

Aesthetic styling, with an attractive, durable light-gray finish, makes INLINE Enclosures an excellent choice when style and functionality are important. INLINE Enclosures have an outward formed flange to prevent contaminants from entering the enclosure and are available in three versions: window door, hinged solid door and solid screw cover.

SPECIFICATIONS

- Metric dimensions
- 1.5-mm (16 gauge) steel
- Seams continuously welded and ground smooth
- External formed body flange channels away liquids
- Large perimeter body opening
- Mounting holes in back of body for direct mounting or optional external mounting brackets
- Seamless foam-in-place gasket
- Grounding stud on the body
- Bonding provision on the door
- Hardware kit includes panel mounting screws, grounding hardware and sealing washers for wall-mounting holes
- Installation instructions

INLINE Screw-Cover Enclosures

- Captivated cover screws with sealing bushings

INLINE Hinged-Door and Window-Door Enclosures

- Door opens 180 degrees
- Removable hinged door
- Self-grounding, slotted quarter-turn latch
- Flush-mounted 4.8-mm (3/16-in.) clear polycarbonate window

FINISH

RAL 7035 textured light-gray polyester powder paint inside and out

ACCESSORIES

See also Accessories.

- DIN Rail or Panel-Mounting Brackets
- DIN3 Type Rails
- Lock Inserts
- Mounting Bracket Kit
- Panels
- Wing Knob Latch
- Grounding Kit

MODIFICATION AND CUSTOMIZATION

Hoffman excels at modifying and customizing products to your specifications. Contact your local Hoffman sales office or distributor for complete information.

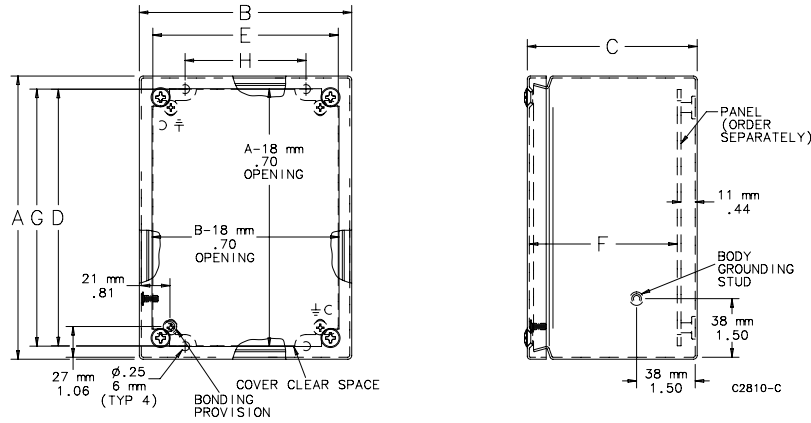
BULLETIN: A54

Standard Product **INLINE Screw-Cover Enclosures**

| Catalog Number | AxBxC mm/in. | Panel | Conductive Panel | Panel Size D x E mm/in. | Mounting G x H mm/in. | F mm/in. |
|----------------|---|--------|------------------|----------------------------|---------------------------|-------------|
| LSC151512 | 150 x 150 x 120 5.91 x 5.91 x 4.72 | LP1515 | LP1515G | 131 x 131 5.16 x 5.16 | 132 x 85 5.18 x 3.36 | 105 4.13 |
| LSC201512 | 200 x 150 x 120 7.87 x 5.91 x 4.72 | LP2015 | LP2015G | 181 x 131 7.13 x 5.16 | 182 x 85 7.15 x 3.36 | 105 4.13 |
| LSC252015 | 250 x 200 x 150 9.84 x 7.87 x 5.91 | LP2520 | LP2520G | 231 x 181 9.09 x 7.13 | 232 x 135 9.12 x 5.33 | 135 5.31 |
| LSC302515 | 300 x 250 x 150 11.81 x 9.84 x 5.91 | LP3025 | LP3025G | 281 x 231 11.06 x 9.09 | 281 x 185 11.08 x 7.30 | 135 5.31 |
| LSC353020 | 350 x 300 x 200 13.78 x 11.81 x 7.87 | LP3530 | LP3530G | 331 x 281 13.03 x 11.06 | 331 x 235 13.05 x 9.27 | 185 7.28 |

Purchase panels separately.

INLINE Screw Cover Enclosure



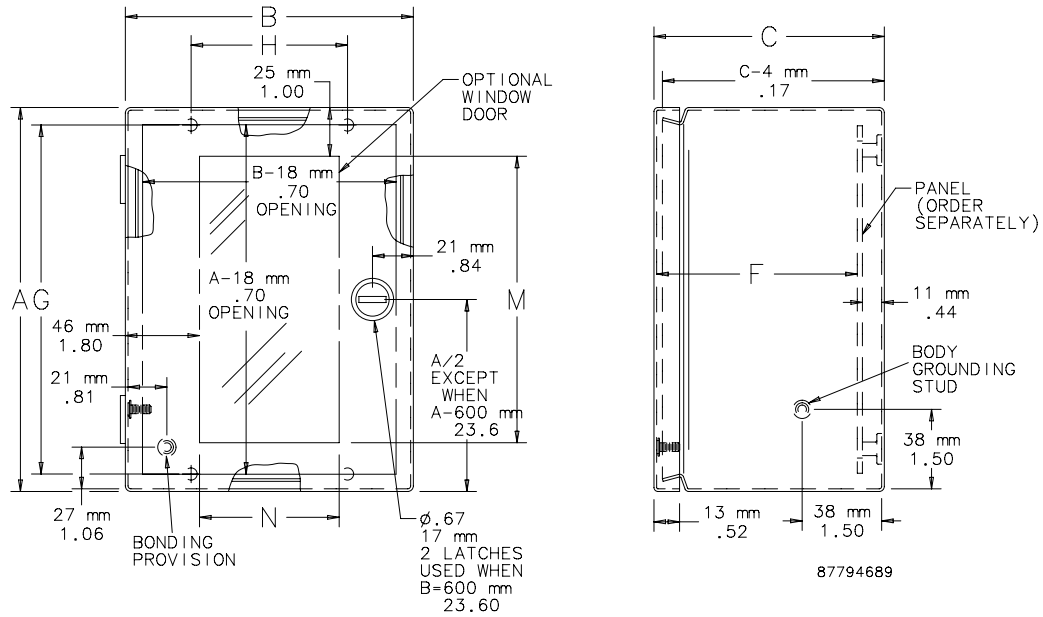
NOTE: Rear mounting holes will accommodate M6-1.0 or 1/4-20 UNC mounting screws (supplied by customer)

Standard Product INLINE Hinged-Door Enclosures

| Catalog Number | AxBxC mm/in. | Panel | Conductive Panel | Panel Size D x E mm/in. | Mounting G x H mm/in. | F mm/in. |
|----------------|---|--------|------------------|----------------------------|---------------------------|-------------|
| LHC151512 | 150 x 150 x 120 5.91 x 5.91 x 4.72 | LP1515 | LP1515G | 131 x 131 5.16 x 5.16 | 132 x 85 5.18 x 3.36 | 105 4.13 |
| LHC201512 | 200 x 150 x 120 7.87 x 5.91 x 4.72 | LP2015 | LP2015G | 181 x 131 7.13 x 5.16 | 182 x 85 7.15 x 3.36 | 105 4.13 |
| LHC252015 | 250 x 200 x 150 9.84 x 7.87 x 5.91 | LP2520 | LP2520G | 231 x 181 9.09 x 7.13 | 232 x 135 9.12 x 5.33 | 135 5.31 |
| LHC302515 | 300 x 250 x 150 11.81 x 9.84 x 5.91 | LP3025 | LP3025G | 281 x 231 11.06 x 9.09 | 281 x 185 11.08 x 7.30 | 135 5.31 |
| LHC353020 | 350 x 300 x 200 13.78 x 11.81 x 7.87 | LP3530 | LP3530G | 331 x 281 13.03 x 11.06 | 331 x 235 13.05 x 9.27 | 185 7.28 |

Purchase panels separately.

INLINE Hinged Door and Window Door Enclosures



Standard Product **IN-LINE Window-Door Enclosures**

| Catalog Number | AxBxC mm/in. | Panel | Conductive Panel | Panel Size D x E mm/in. | Mounting G x H mm/in. | Window Size M x N mm/in. | F mm/in. |
|----------------|--|--------|------------------|---------------------------|---------------------------|---------------------------|-------------|
| LWC201512 | 200 x 150 x 120 7.87 x 5.91 x 4.72 | LP2015 | LP2015G | 181 x 131 7.13 x 5.16 | 182 x 85 7.15 x 3.36 | 149 x 65 5.87 x 2.31 | 101 3.98 |
| LWC252015 | 250 x 200 x 150 9.84 x 7.87 x 5.91 | LP2520 | LP2520G | 231 x 181 9.09 x 7.13 | 232 x 135 9.12 x 5.33 | 199 x 115 7.83 x 4.24 | 131 5.16 |
| LWC302515 | 300 x 250 x 150 11.81 x 9.84 x 5.91 | LP3025 | LP3025G | 281 x 231 11.06 x 9.09 | 281 x 185 11.08 x 7.30 | 249 x 165 9.80 x 6.25 | 131 5.16 |
| LWC204015 | 200 x 400 x 150 7.87 x 15.75 x 5.91 | LP2040 | LP2040G | 181 x 381 7.13 x 15.00 | 182 x 335 7.15 x 13.20 | 115 x 349 4.53 x 13.49 | 131 5.16 |
| LWC206015 | 200 x 600 x 150 7.87 x 23.62 x 5.91 | LP2060 | LP2060G | 181 x 581 7.13 x 21.06 | 182 x 535 7.15 x 21.08 | 115 x 549 4.53 x 21.36 | 131 5.16 |

Purchase panels separately.

LWC204015 and LWC206015 are hinged on "B" side of enclosure.

IN-LINE Hinged Door and Window Door Enclosures

